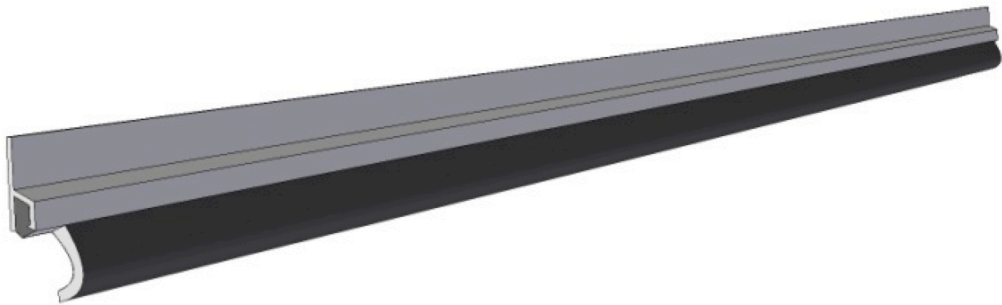




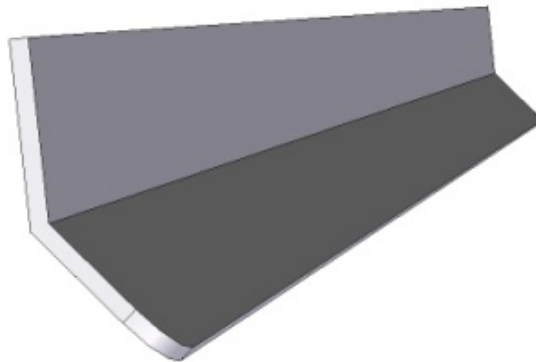
# KIRNCROFT SECURITY DOORS

## Weather kit fitting instructions

There are two parts to the weather kits: the drip guard and the weather strip.



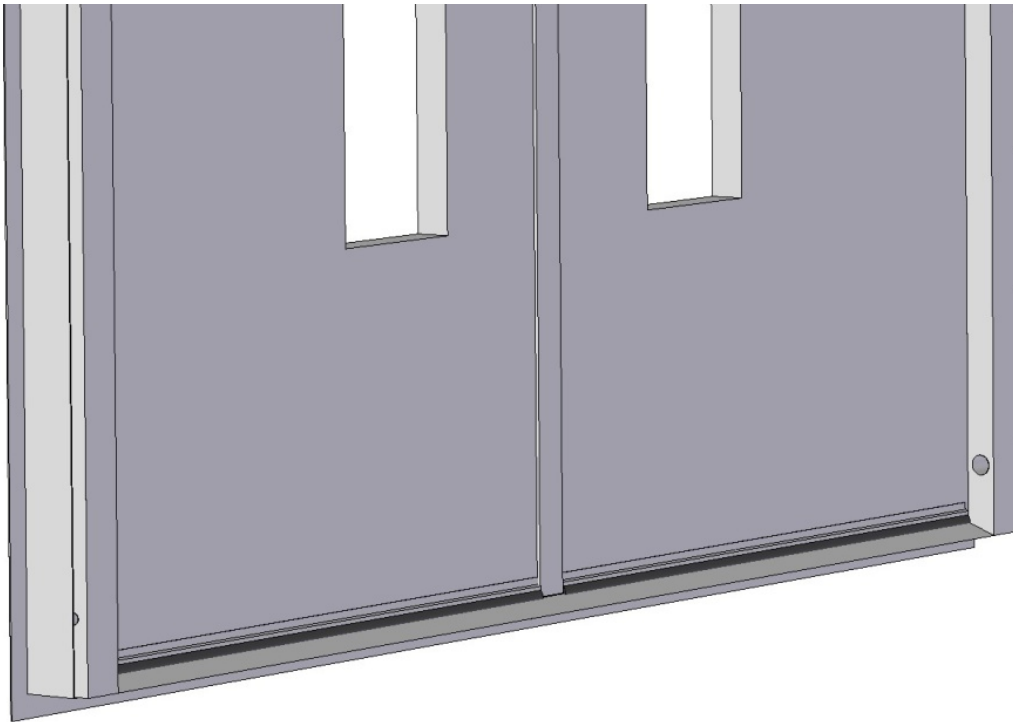
**1 Weather Strip**



**2 Drip Guard**

## External Opening Doors

On external opening doors the weather strip is fitted on the bottom of the door so that the black rubber seal part of the weather strip makes contact with the top of the threshold, as shown in the diagram below. The weather strip should sweep across the top of the threshold when the door is opened and closed. Illustrated in diagram 1.

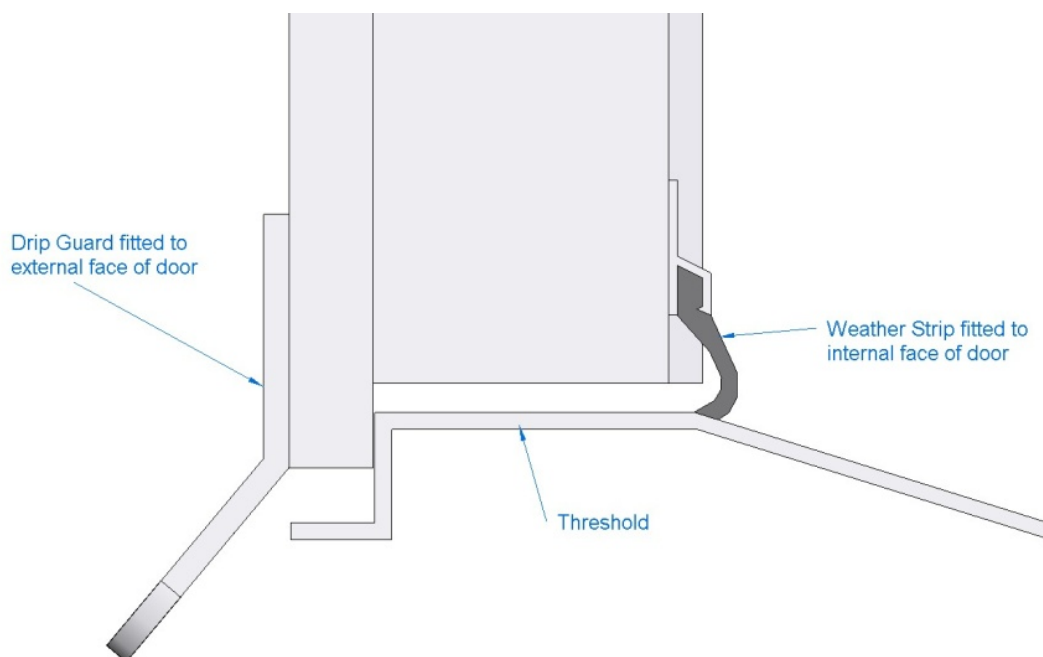


## Fitting the Weather Strips

1. In order to fix the weather strips to the door the door need to be closed and latched
2. Offer up the weather strips to the internal face of the master leaf and position them so that the black seal presses against the threshold, as illustrated in image above
3. Mark the face of the door where the fixings will be positioned using a centre punch
4. Using a 3.5mm HSS drill bit, drill the fixing holes into the face of the door
5. Using the fixing screws supplied securely fit the weather strips
6. Operate the locks after fitting to ensure that none of the fixing screws have fouled the locking mechanism
7. Repeat process for the slave leaf

## Fitting the Drip Guard

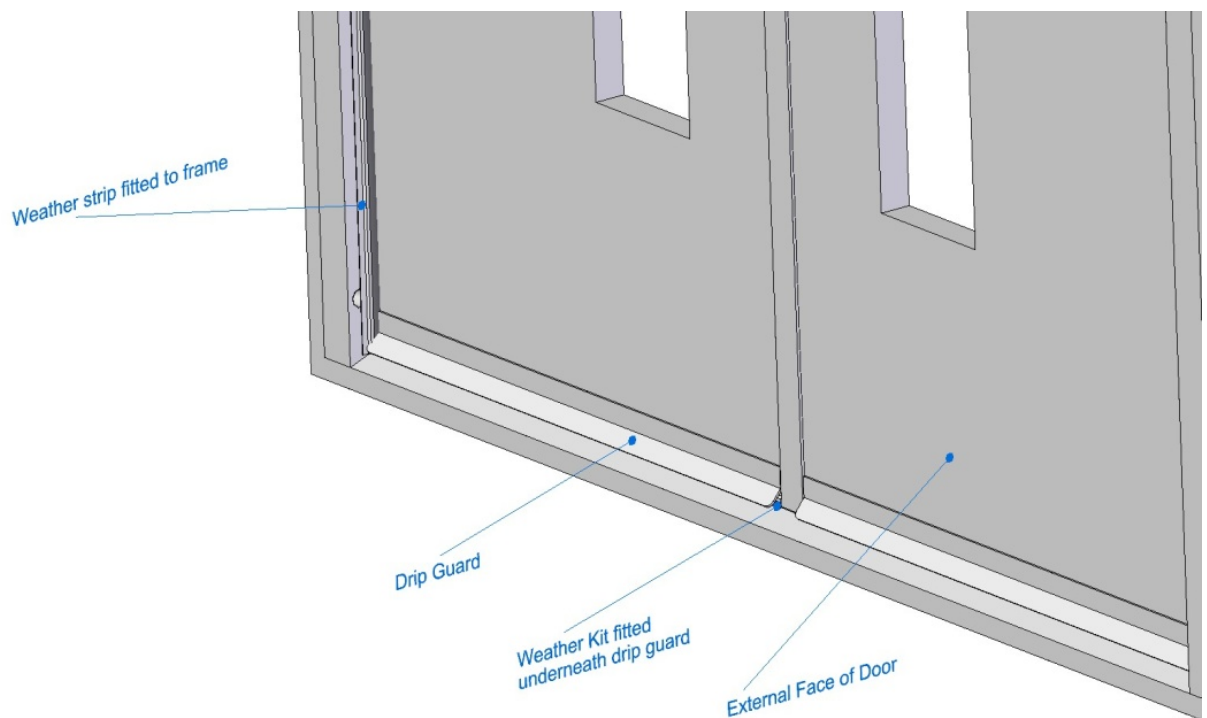
The Drip guards are fitted to the external face of the door. They are designed to deflect rainwater away from the threshold as it runs down the door. In order for the drip guards to do this effectively on external opening doors they need to be fitted as close to the ground as possible without obstructing the operation of the door (e.g. catching the floor as the doors are opened), because of this, the position of the drip guard will be different for each door depending on the application and surrounding environment.



1. Start with the door closed and position the drip guards on the external face of the door as low to the ground as possible without obstructing the operation of the door as illustrated in the image above
2. Mark the position of the fixing holes with a centre punch
3. Using a 3.5mm HSS drill bit, drill the holes as marked
4. Apply silicone to the face of the drip guard which will be in contact with the door
5. Using the screws supplied attach the drip guards to the face of the door
6. Operate the locks after fitting to ensure that none of the fixing screws have fouled the locking mechanism
7. Repeat for the slave leaf

## Internal opening doors

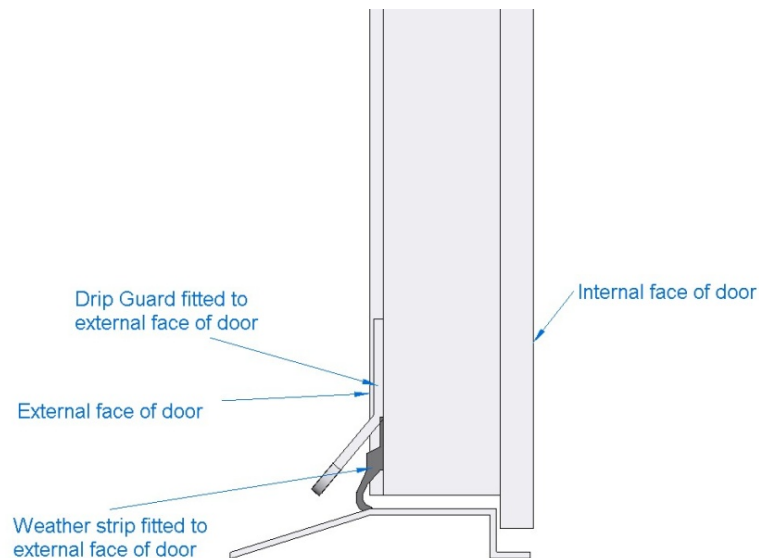
The fitting of the weather kits differs slightly with internal opening doors instead of just having two pieces of weather strip at the bottom of the door, there are five strips and they are positioned all around the frame rather than just along the bottom of the door. Also the drip guards and weather strips on the bottom of the doors are positioned on the same face rather than on opposite sides of the door. Illustrated in Diagram 2.



The first step is to fit the weather strip to the bottom of the door leaves.

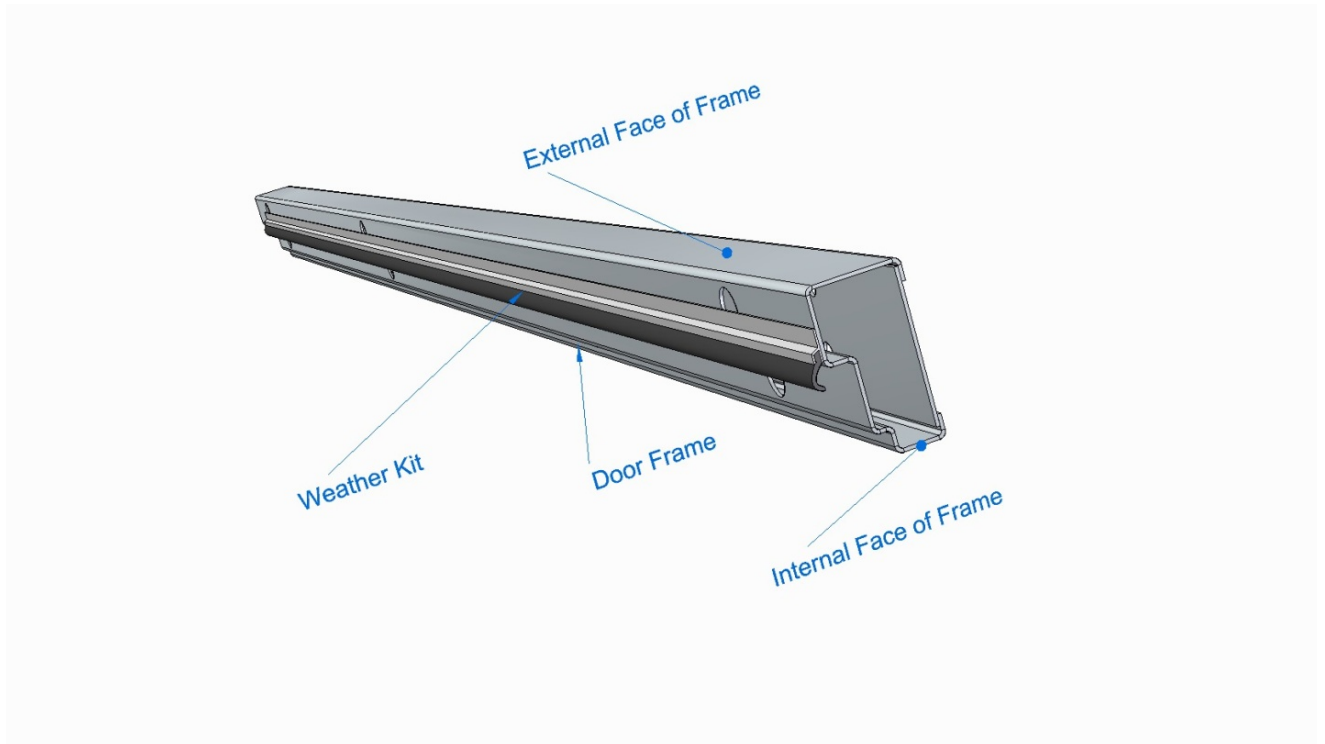
1. With the doors in the closed position, place the weather strip on the external face of the door and position it so that the black rubber seal makes positive contact with the top of the threshold, as illustrated in the image below
2. Mark the fixing holes with a centre punch
3. Using a 3.5mm HSS drill bit, drill the fixing holes into the face of the door
4. Fix the weather strip onto the face of the door using the screws provided
5. Repeat for slave leaf

Once the weather strips have been fitted the drip guards can be fitted above them. The drip guards should be positioned so that the bottom of the drip guard is as close to the bottom of the door as possible as shown in the image below.



1. Position the drip guard above the weather strip on the external face of the door, as shown above.
2. Mark the fixing holes using a centre punch
3. Using a 3.5mm HSS drill bit drill the fixing holes
4. Apply silicone to the face of the drip guard which will come into contact with the door
5. Fix the drip guard using the screws provided
6. Repeat for the slave leaf

The final step is to fix the weather strip to the frame. This is best carried out with the doors in the closed position. The weather strip is positioned on the outside of the frame in-between the door and the frame. The position is illustrated in the image below.

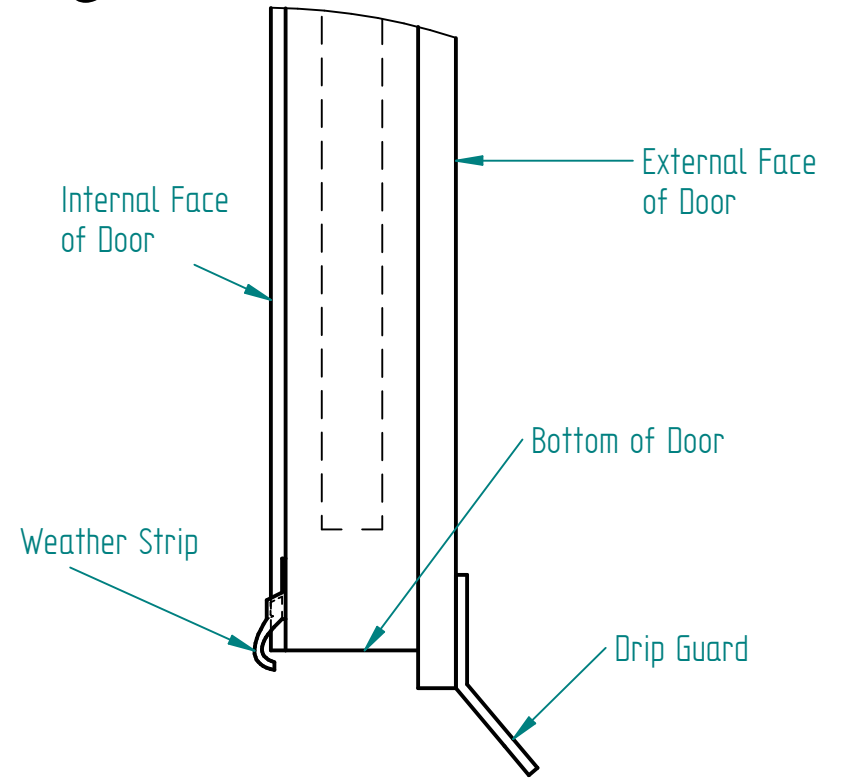
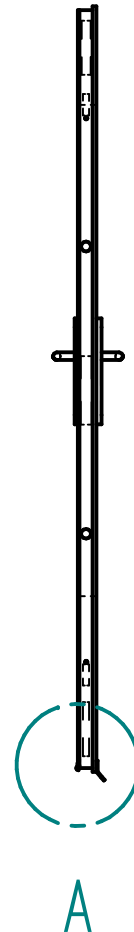
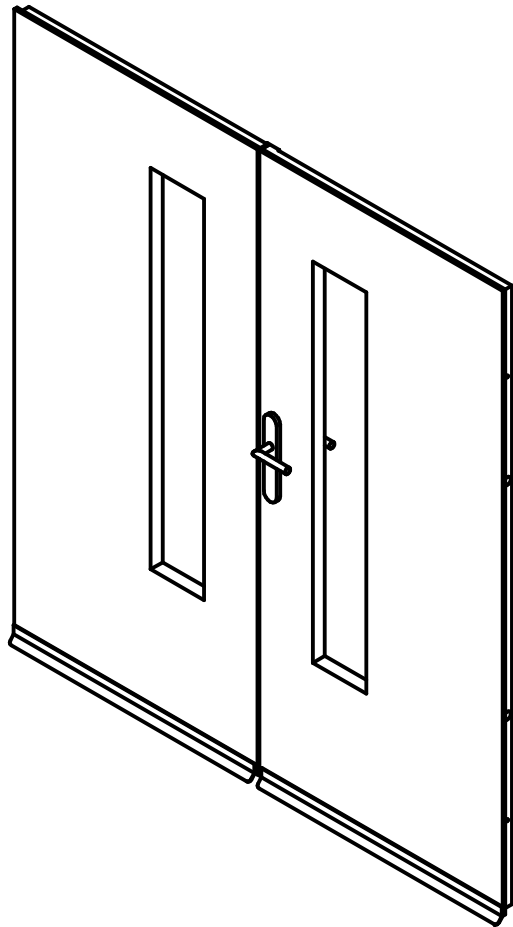


1. With the door closed position the weather strip on the external side of the frame as shown above so that the black rubber seal of the weather strip makes contact with the door and forms a weather tight seal
2. The weather strip needs to be fixed to both sides of the frame and also on the top horizontal section
3. Once the weather strip is in the correct position, mark the fixing holes with a centre punch
4. It is possible that a fixing hole for the weather strip would lie on a fixing hole in the frame. In this instance two new fixing holes need to be drilled in the weather strip on either side of the frame fixing hole
5. Once the fixing holes have been marked, using a 3.5mm HSS drill bit, drill the fixing holes in the frame and fix the weather strip using the screws provided

With the weather strips and drip guards fitted ensure that the locking mechanism works correctly, ensuring that none of the fixing screws have fouled the mechanism.



# Illustration of appropriate fixing position for a weather kit fitted to an external opening double door.

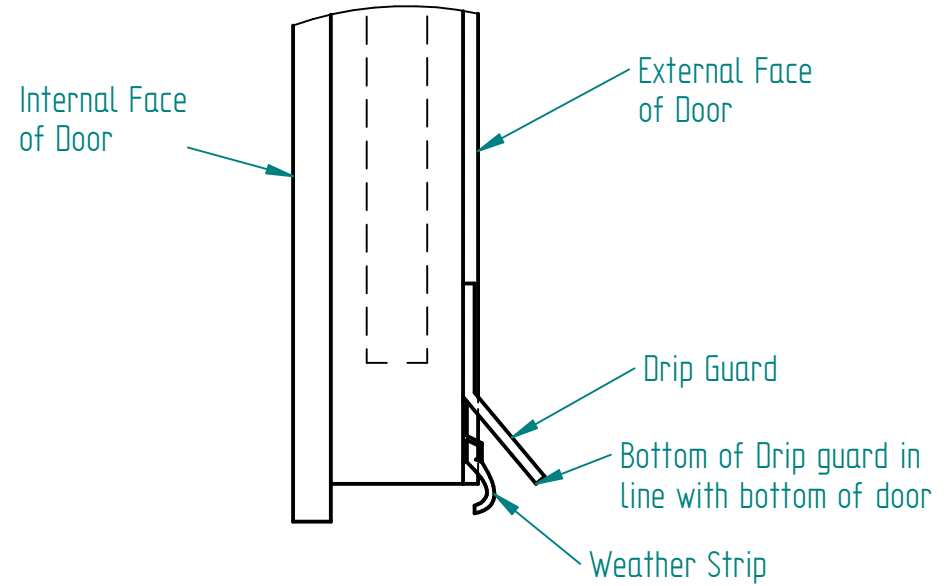
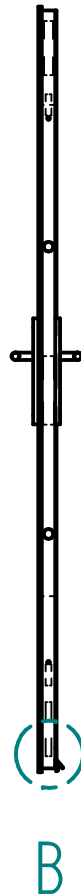
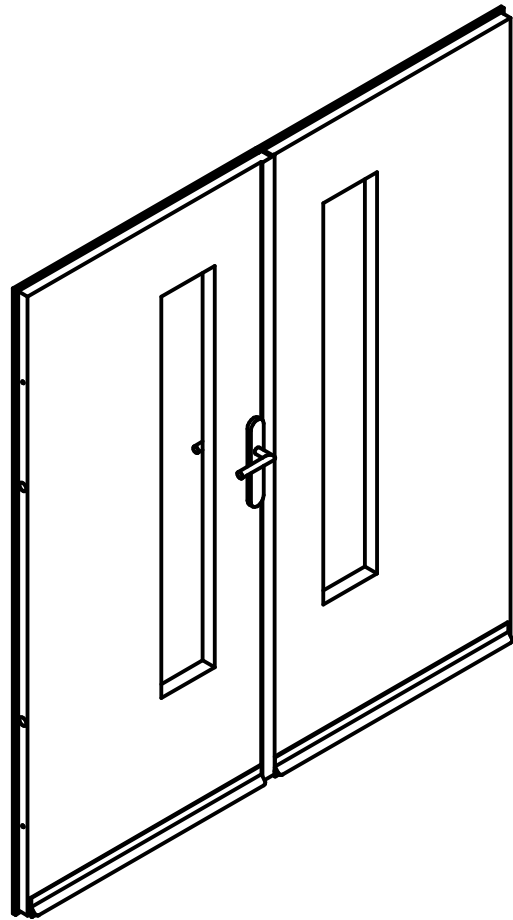


DETAIL A

Locations are for illustration purpose only, weather kit should be positioned appropriately for each individual door.



# Illustration of appropriate fixing position for a weather kit fitted to an Internal opening double door.



DETAIL B

Locations are for illustration purpose only, weather kit should be positioned appropriately for each individual door.