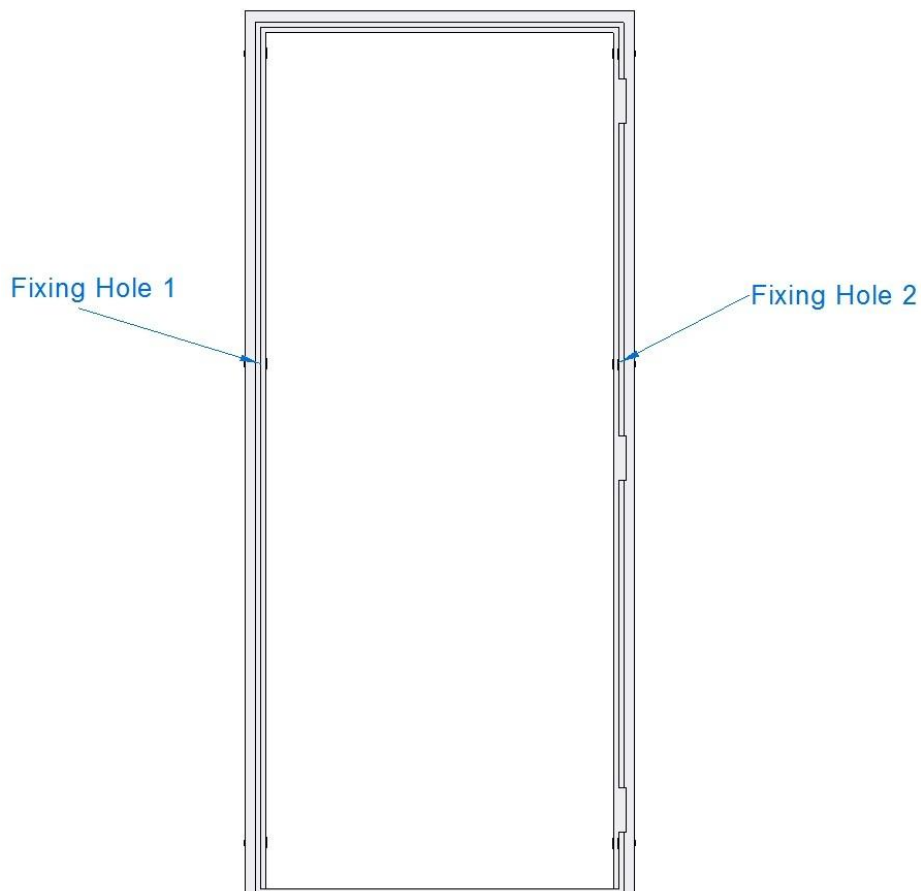


KIRNCROFT SECURITY DOORS

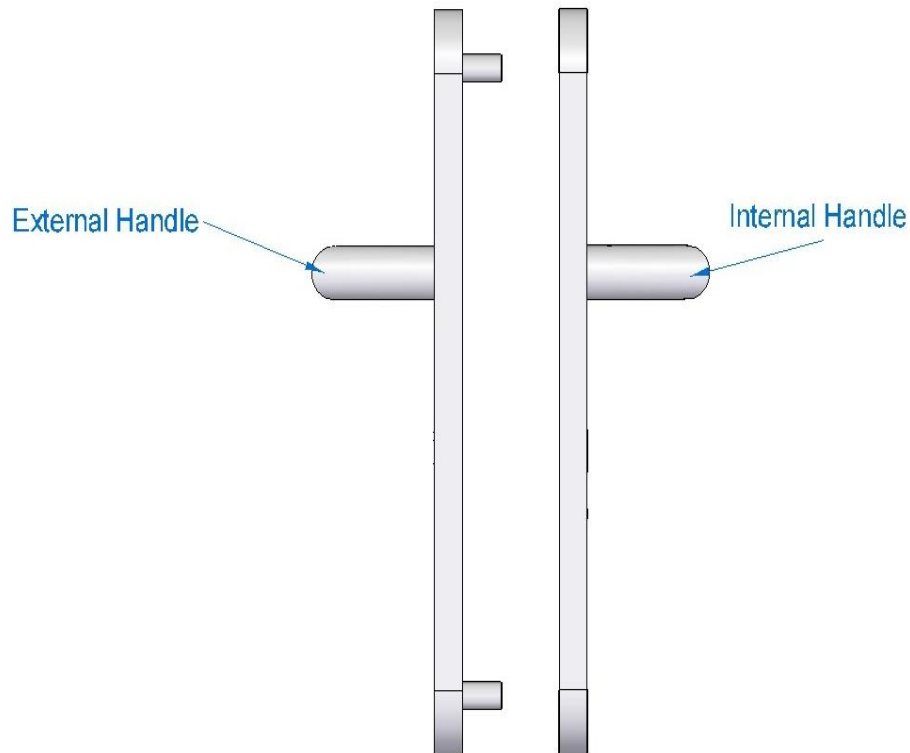
Fitting Instructions

Multi-locking single leaf steel door set

1. Ensure that the aperture is the correct size for the door that is to be fitted. The aperture size should be 10mm greater than the door frame size.
2. Address the door to the aperture and loosely secure the door, this can be done using the centre fixing holes, (fixing hole 1 & 2) or small tack welds if the door is to be welded into place. Care should be taken when handling the door (depending on the door size, the weight can range from 70Kg up to 90kg), ensure that the correct number of people are available to handle the door.



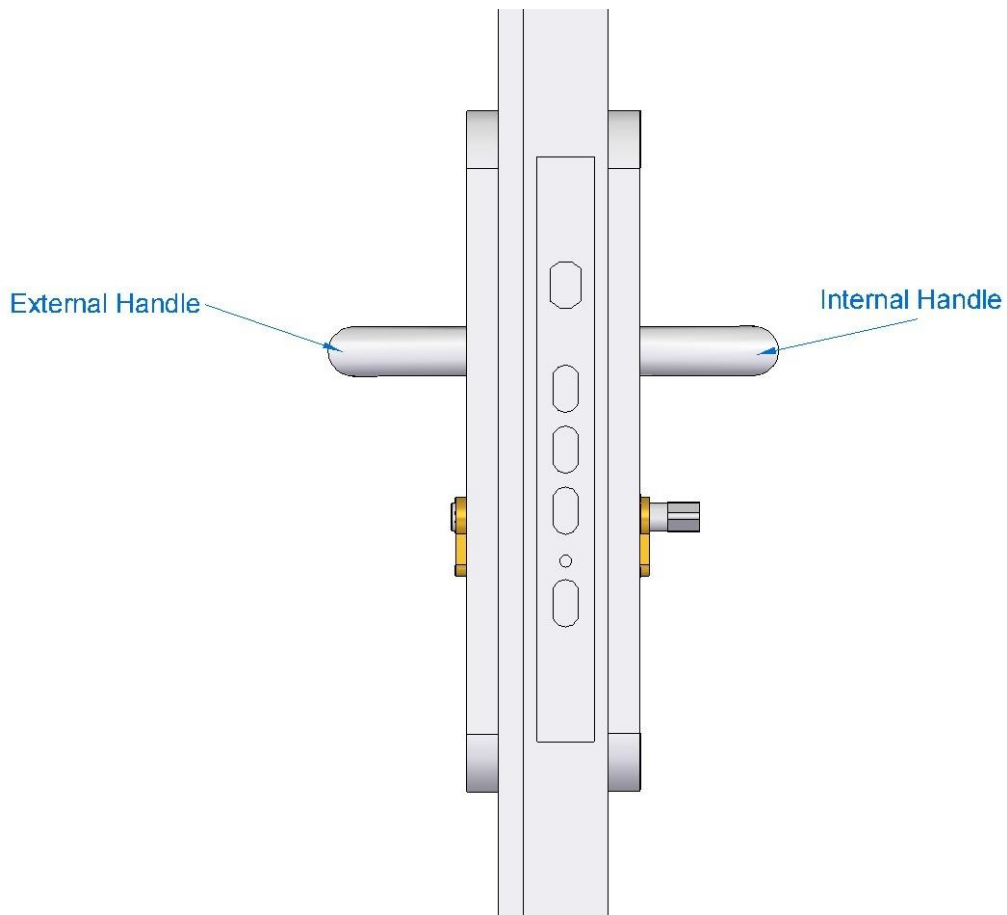
3. Now that the door and frame are loosely secured into the aperture the door can be opened to allow the furniture and locking mechanism to be fixed. Remove the furniture from the box and identify the internal and external handles.



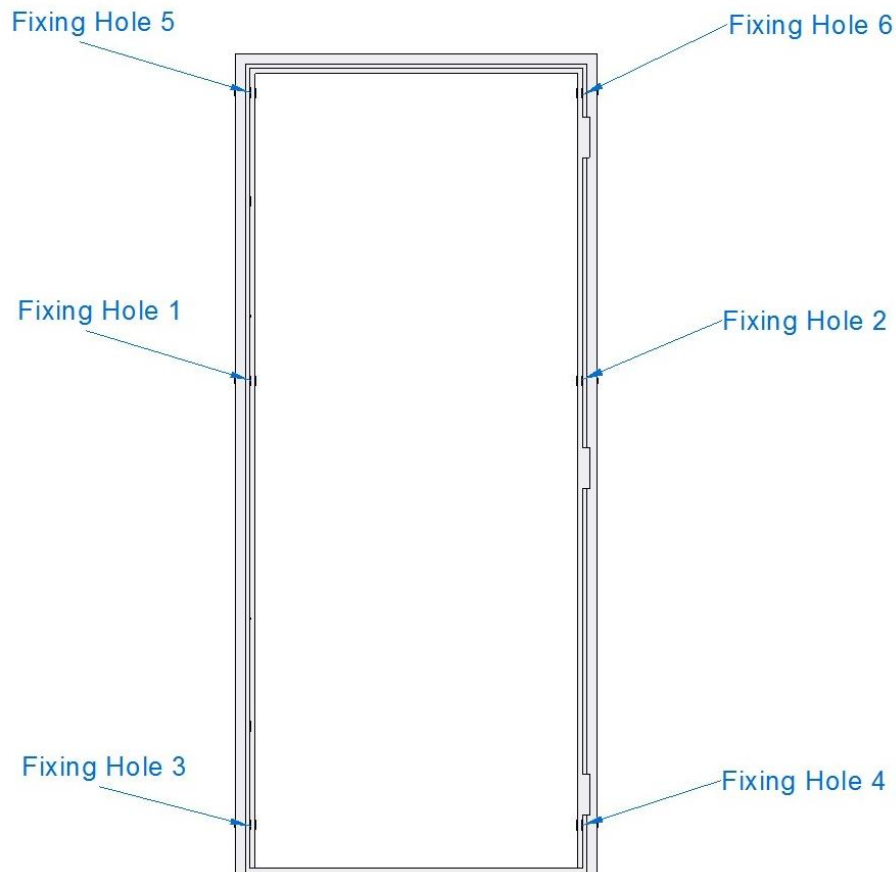
4. Before fitting the handles ensure that the threaded pillars on the external handle are tight. The keyway bar must be fitted through the square slot in the lock and into the external lever.
5. The handles are then fixed through from the internal handle plate, through the door and into the threaded pillars on the external handle plate using the fixing screws supplied. At this stage the handle should only be loosely fitted. Once loosely fitted, operate the lever to ensure that the latch retracts when the lever is depressed.
6. Now fit the cylinder. The cylinder is fitted from the internal face through the handle so that it protrudes through the external handle. The cylinder is held in

place by the fixing screw, which is fixed through the faceplate of the lock and into the fixing hole located in the body of the cylinder.

7. Once the cylinder is securely in place tighten all the handle screws. Ensuring that they are tightened evenly so that the handle plates sit flat on surface of the door.



8. Ensure that the handle, lock and door all operate correctly and that the door does not make contact with the threshold or the frame when opening and closing.
9. If using bolts to secure the door, the remaining fixing holes can now be drilled using the fixing holes in the frame as a template.



10. The remaining bolts should now be fitted loosely to allow movement of the door and frame within the aperture.

11. Assess the position of the door within the frame and apply packers (not supplied) around the fixing positions to ensure that the door is square within the frame when all of the bolts are tightened or when the frame is securely welded. Throughout this process it should be checked that the door opens and closes without making contact with the frame and that the locking system operates smoothly.

12. The remaining bolts can now be fully tightened and the door fully secured. Now check that the door operates freely and locks correctly.

N.B it is the responsibility of the installer to ensure that the furniture is correctly fitted. If painting the door the fittings must either be removed or masked up. Failure to do so will invalidate the warranty.