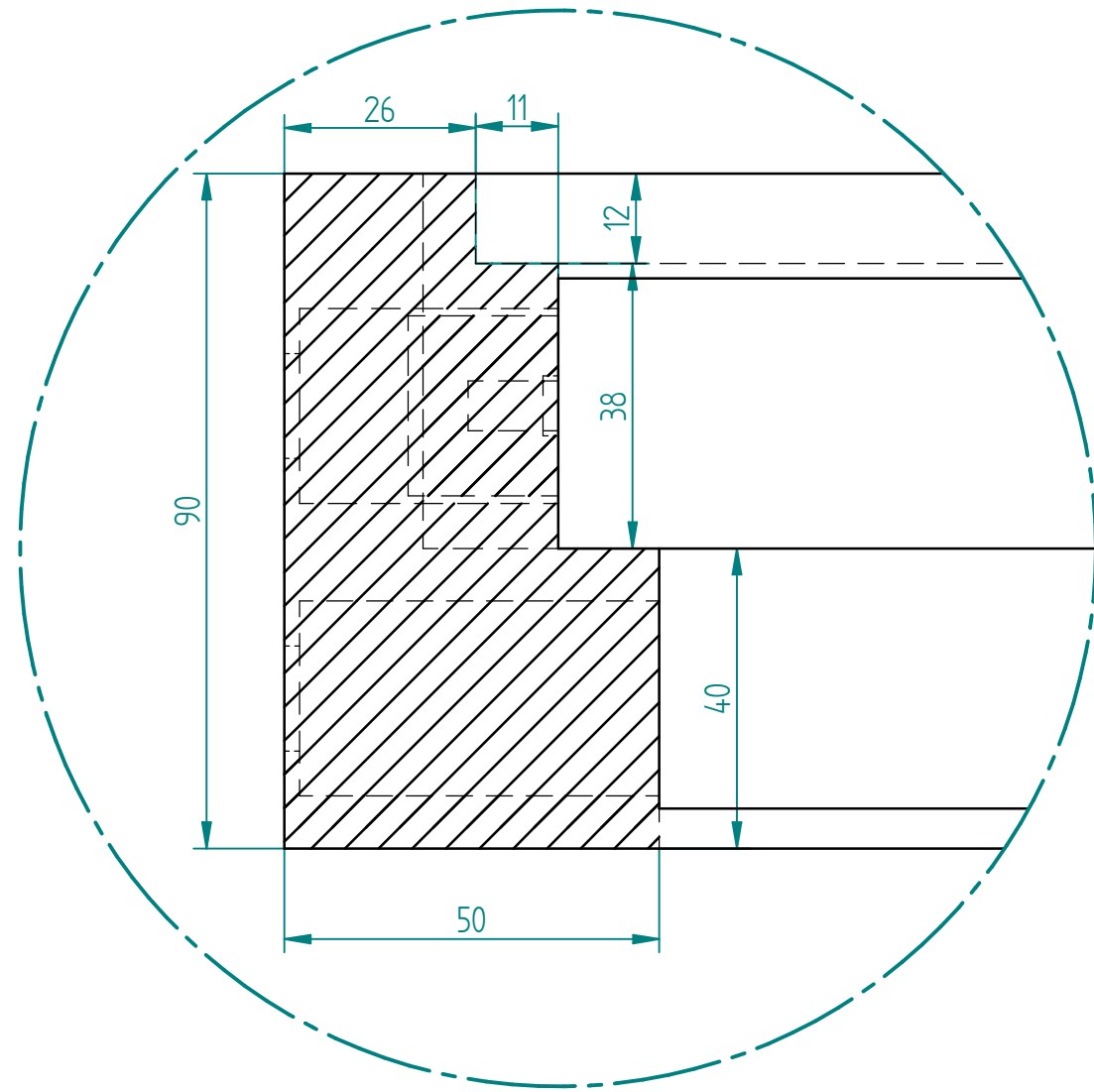




# Frame Profile



DETAIL B

